

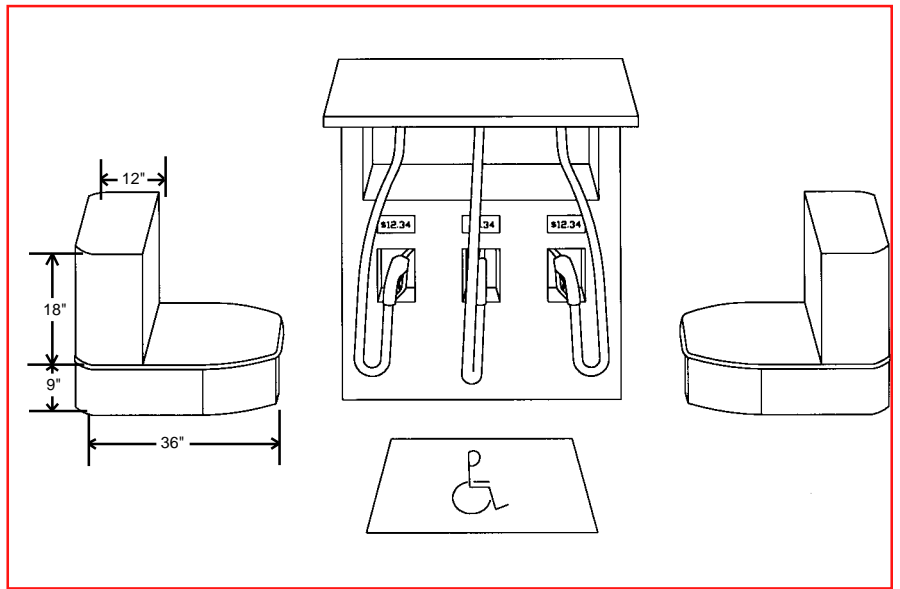
NEW PRODUCT BULLETIN

ADA COMPLIANT ISLAND FORMS

Protect your expensive surface mounted dispensers while satisfying the National Fire Protection Association and ADA requirements with PEMCO's Series 745S ADA Compliant Island Forms. The forms are made with 12 gauge steel and are prime coated gray. The forms are also available in stainless steel (model 745S4918SS).



Series 745S with attached raised bumper



Suggested installation to meet NFPA and ADA requirements

Model No.	Width	Island Height	Bumper Height	Length
745S4918	4'	9"	18"	36"
745S419SS	4'	9"	18"	36"

Other widths and heights available on request.

WESTERNWAREHOUSE
K & ASSOCIATES
3801 Race Street
Denver, CO 80205
1-800-323-1987

PEMCO

INTERNATIONAL SALES
PETROREP INT'L, LTD.
22 South Street, Suite 4
Freehold, NJ 07728 USA
732-409-5444



PETROLEUM EQUIPMENT MANUFACTURING CO.
2185 West 76th Street • Hialeah, FL 33016 • 1-800-448-3286
(305) 558-9911 • FAX: (305) 558-8282 • www.pemcofl.com